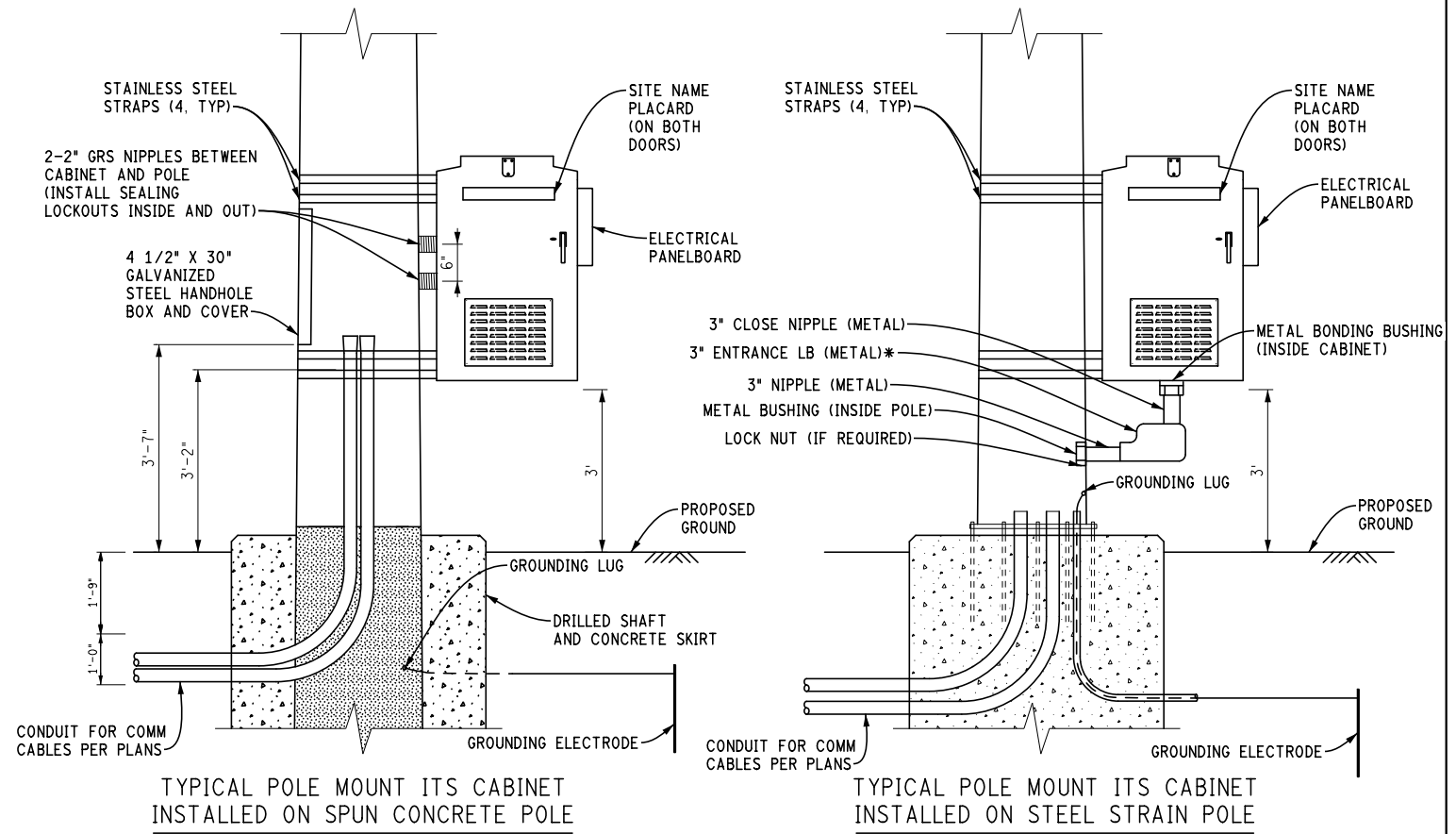
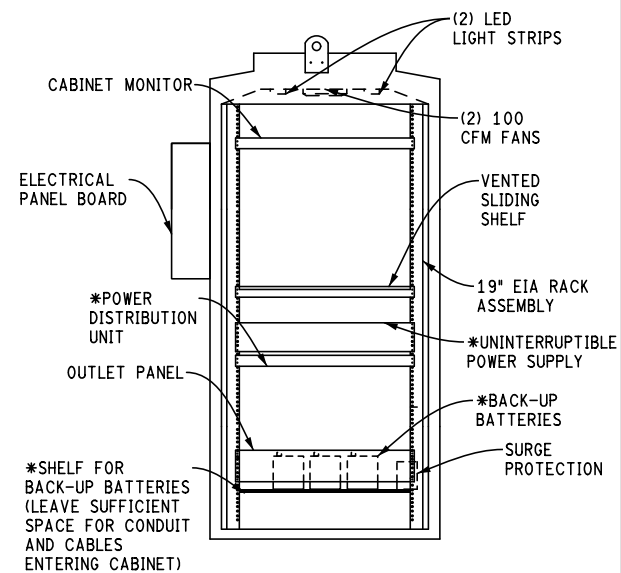


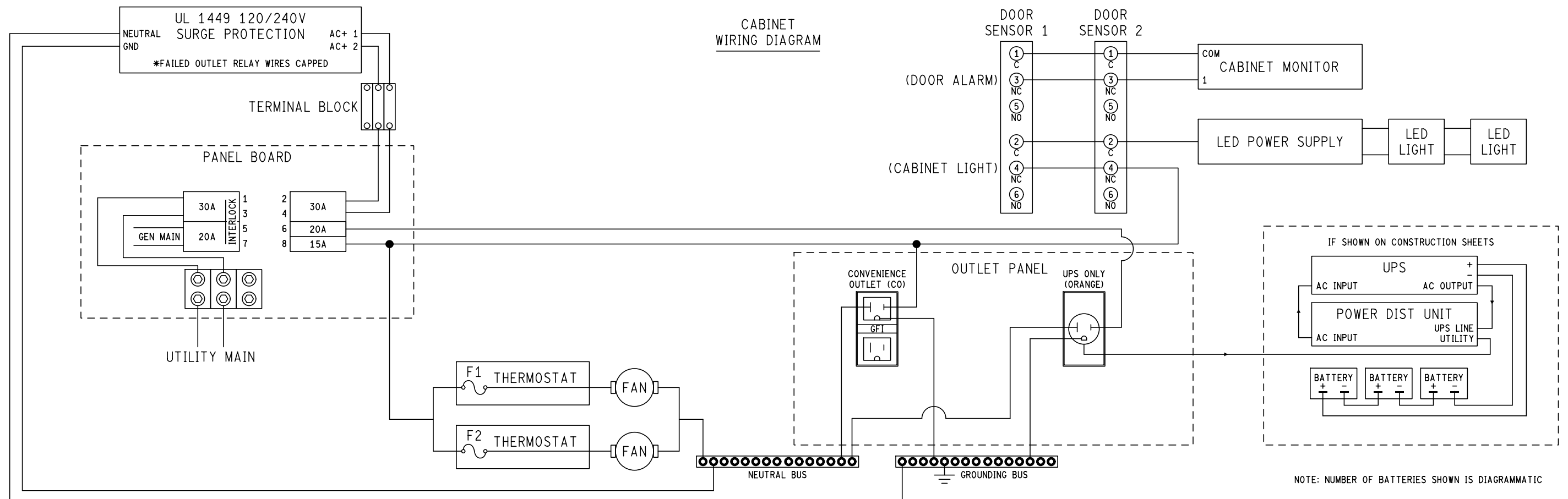
NOTE: REQUIRED SUNSHIELD NOT SHOWN FOR CLARITY



NOTES:

1. INSTALL THE NUMBER, SIZE, AND TYPE OF CONDUIT(S) FOR COMMUNICATIONS AND POWER AS SHOWN IN THE PLANS. DETERMINE THE APPROACH/ENTRY ANGLE TO FOUNDATIONS BASED ON SITE CONDITIONS. THE NUMBER AND LOCATION OF CONDUIT SWEEPS SHOWN IN THIS DRAWING ARE DIAGRAMMATIC.

CABINET WIRING DIAGRAM



FINAL ROW PLAN REVISIONS (SUBMITTAL DATE:)					
NO.	DATE	AUTH	DESCRIPTION	NO.	DATE



NO SCALE

PRINT DATE: 9/26/2019
FILE: ITS Cab, Pole-Mtd- 9-26-2019 ITS063B

DATE:
DESIGN UNIT:
TSC:

CS:
JN:

ITS CABINET, POLE-MOUNTED

SHEET 1 OF 1

DRAWING SHEET